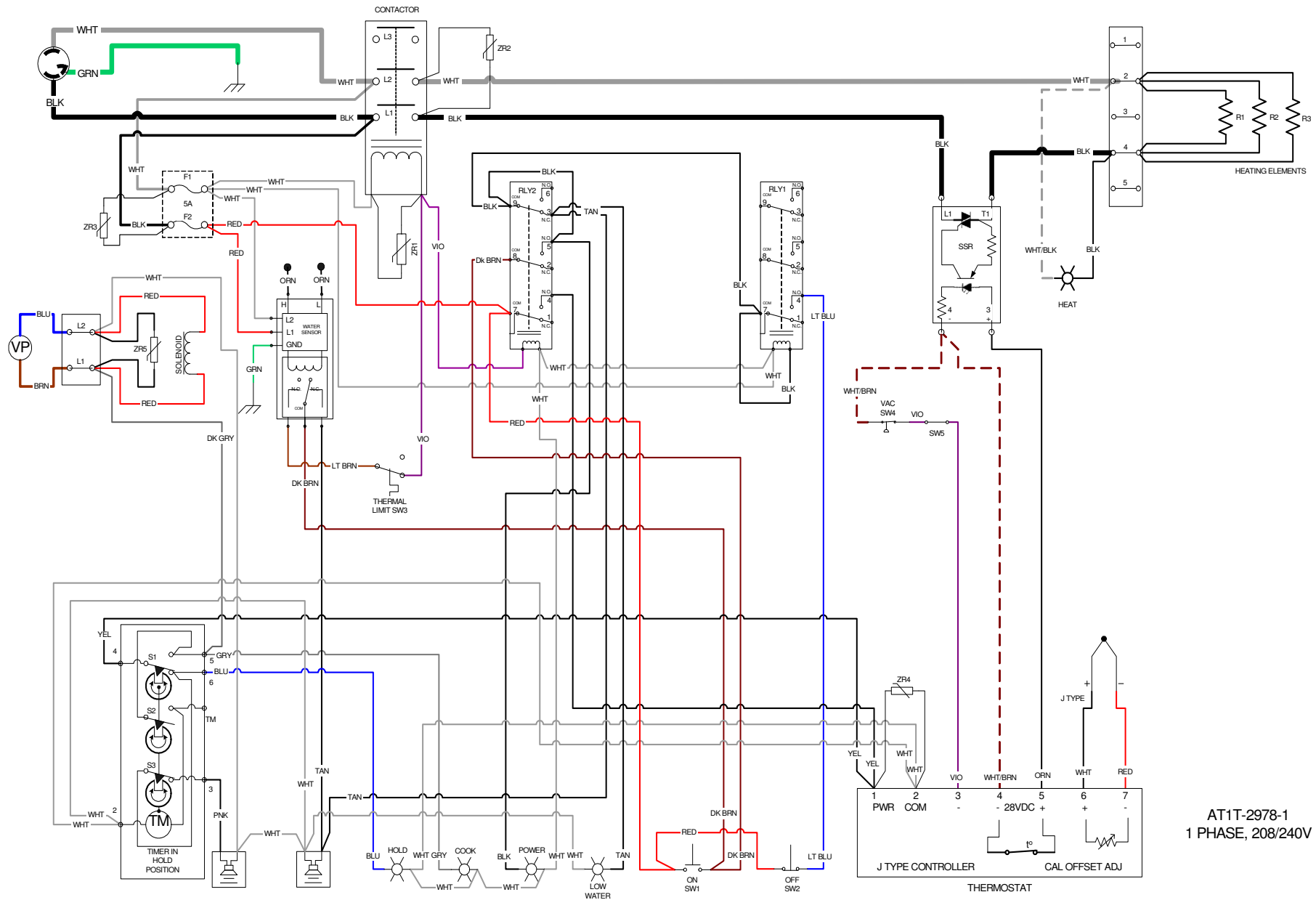
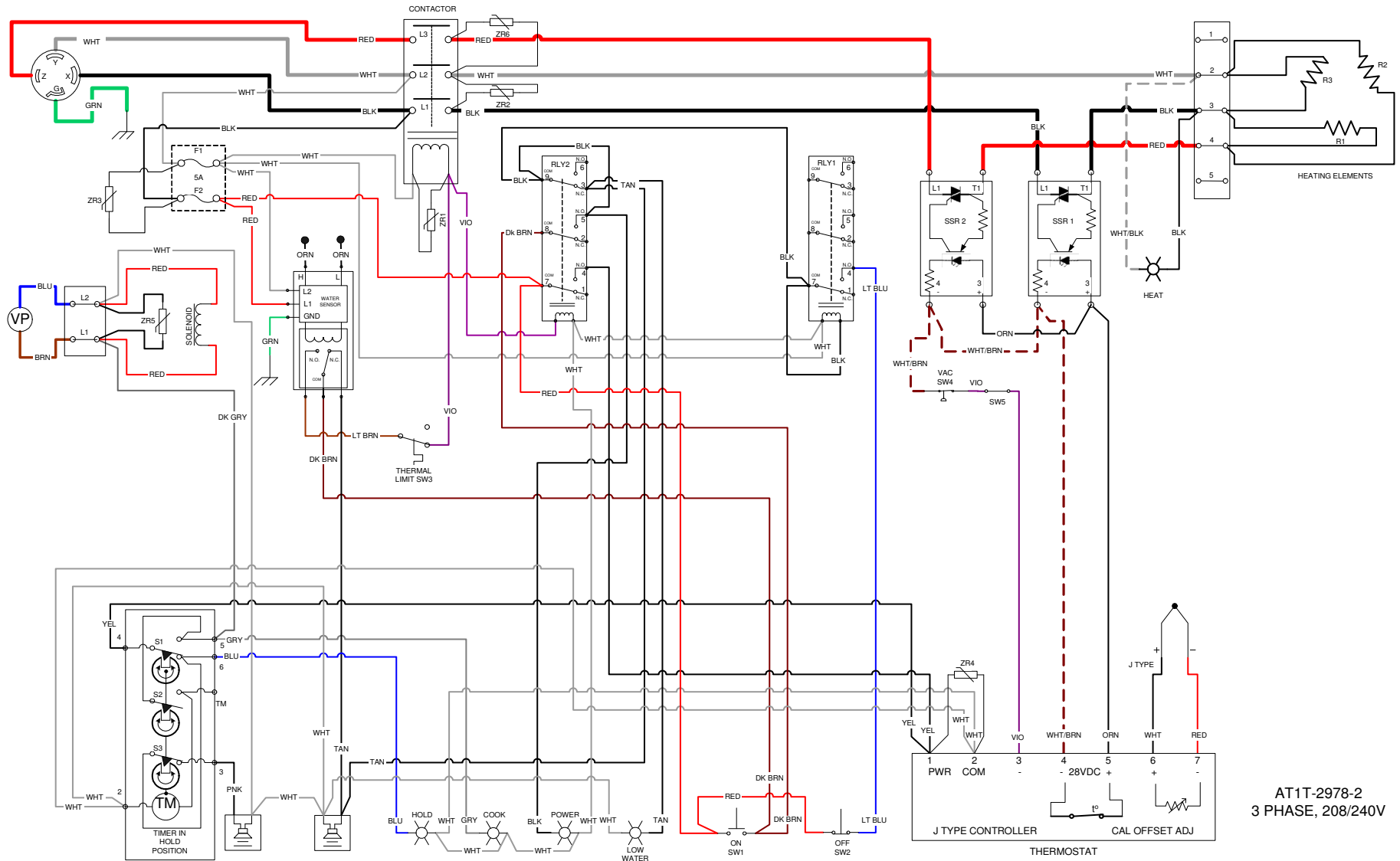


SCHEMATICS  
SERIAL NUMBER 21325 to 22626



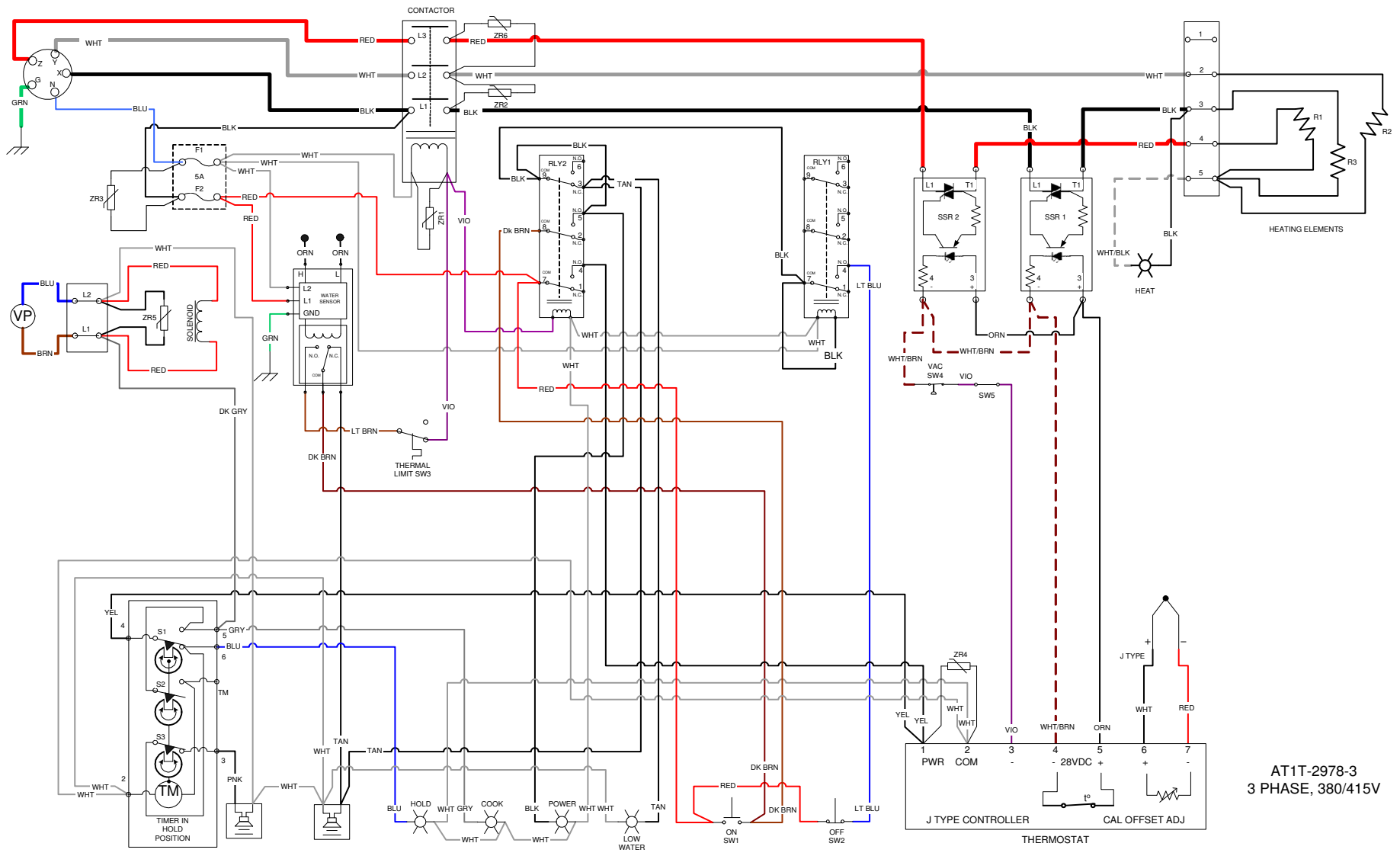
AT1T-2978-1  
1 PHASE, 208/240V

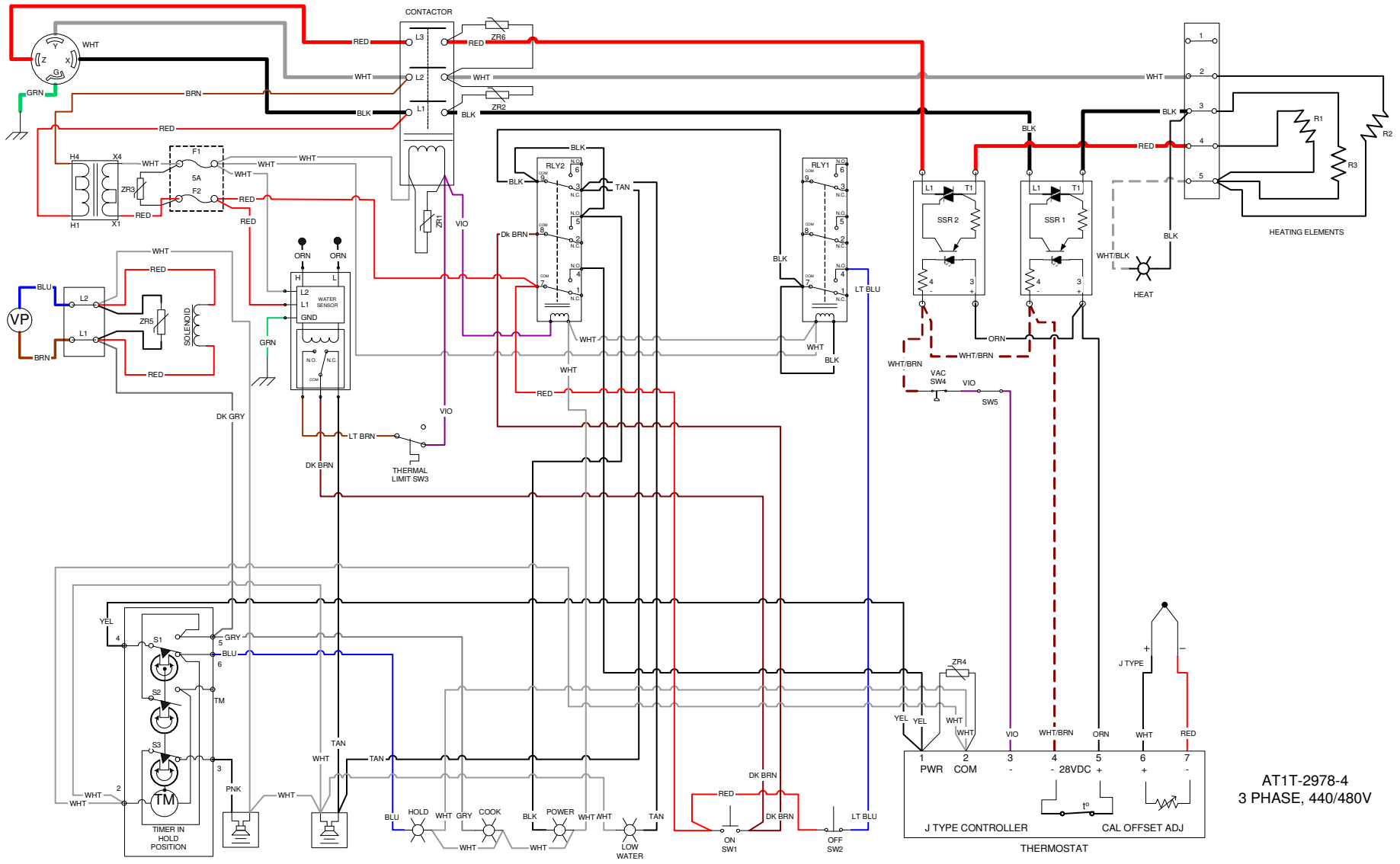




AT1T-2978-2  
3 PHASE, 208/240V

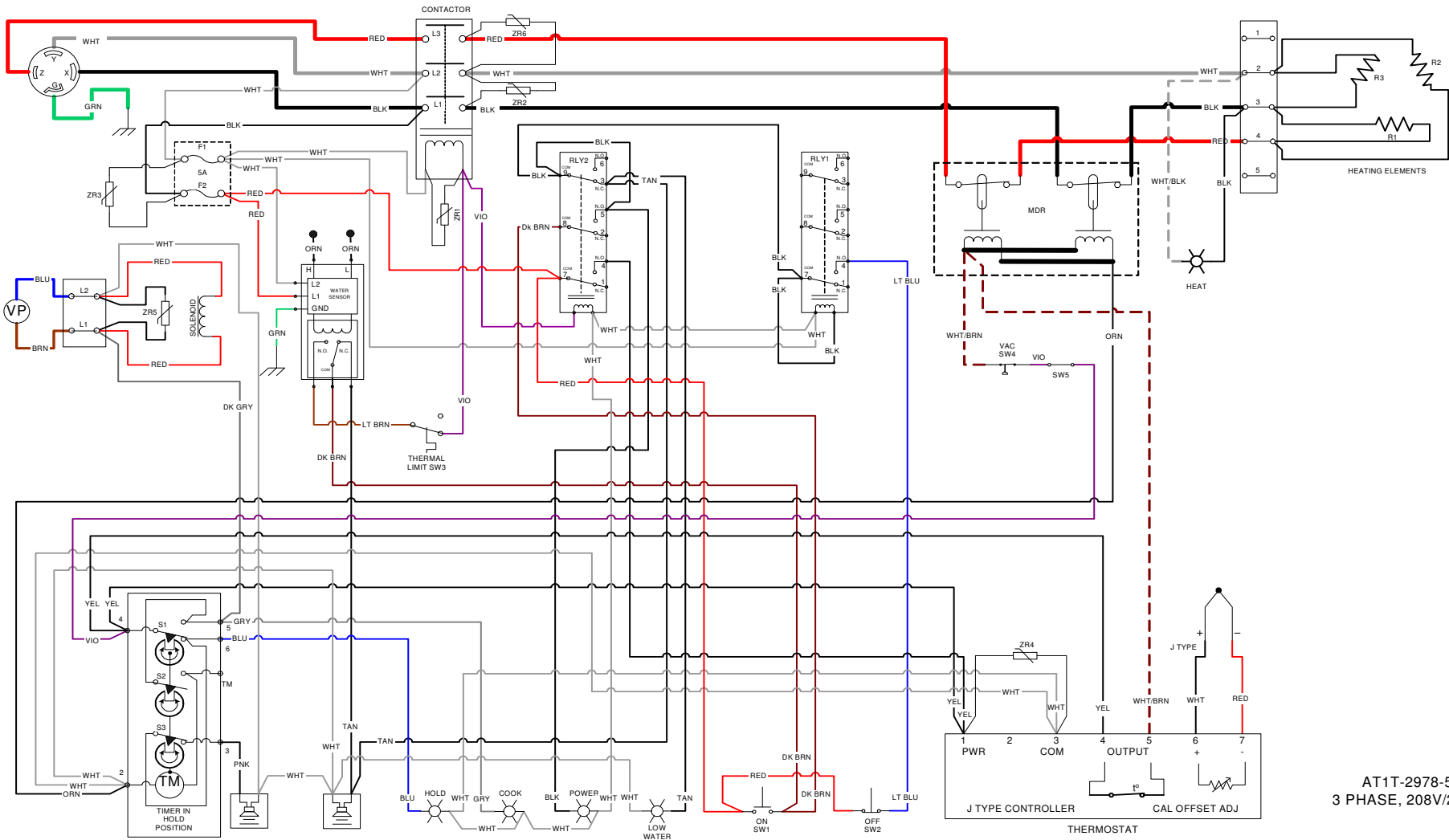






AT1T-2978-4  
3 PHASE, 440/480V





AT1T-2978-5  
3 PHASE, 208V/240V

