



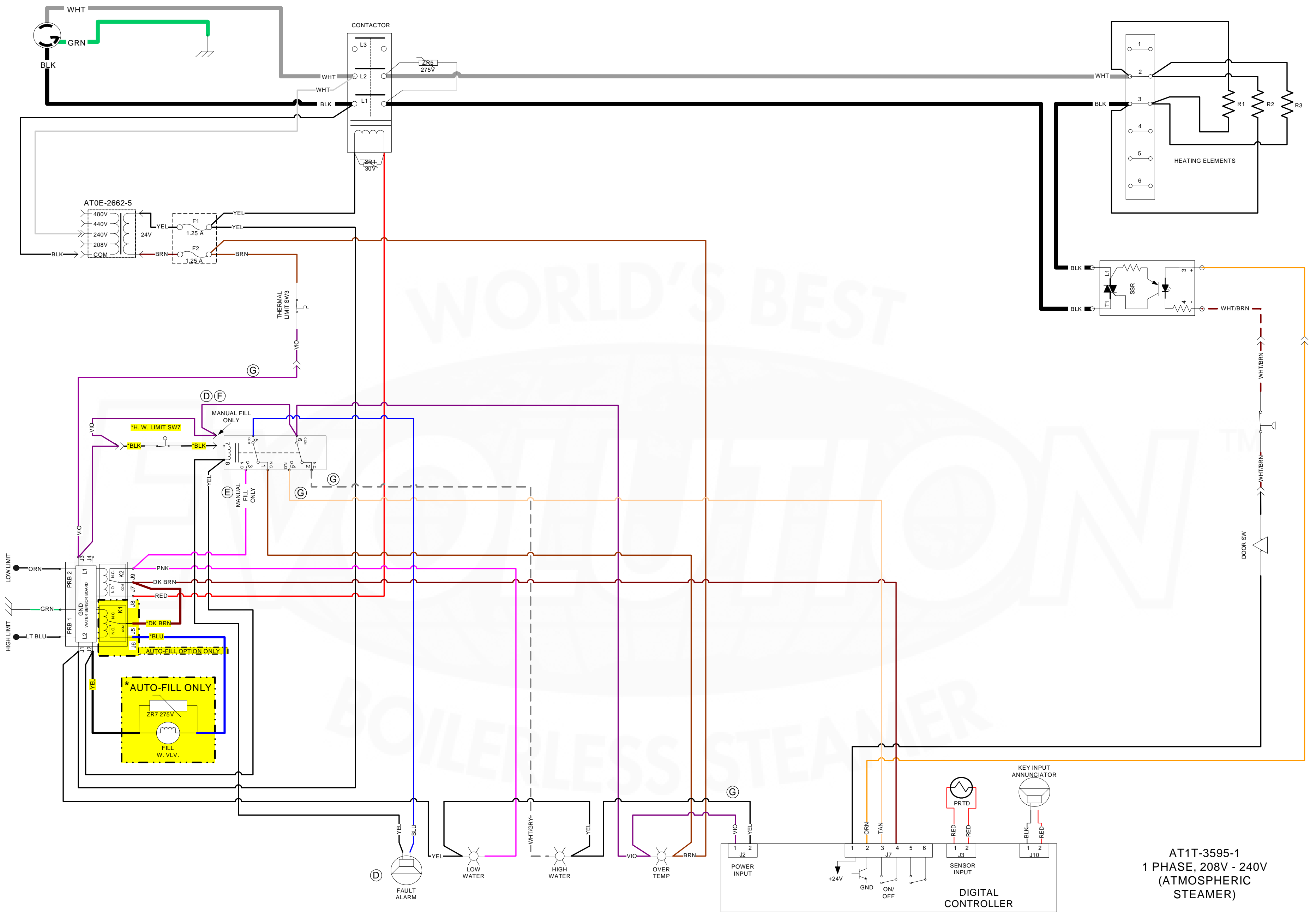
SCHEMATICS ELECTRIC & GAS

SP8024-1402



EVOLUTION ELECTRIC & GAS SCHEMATICS

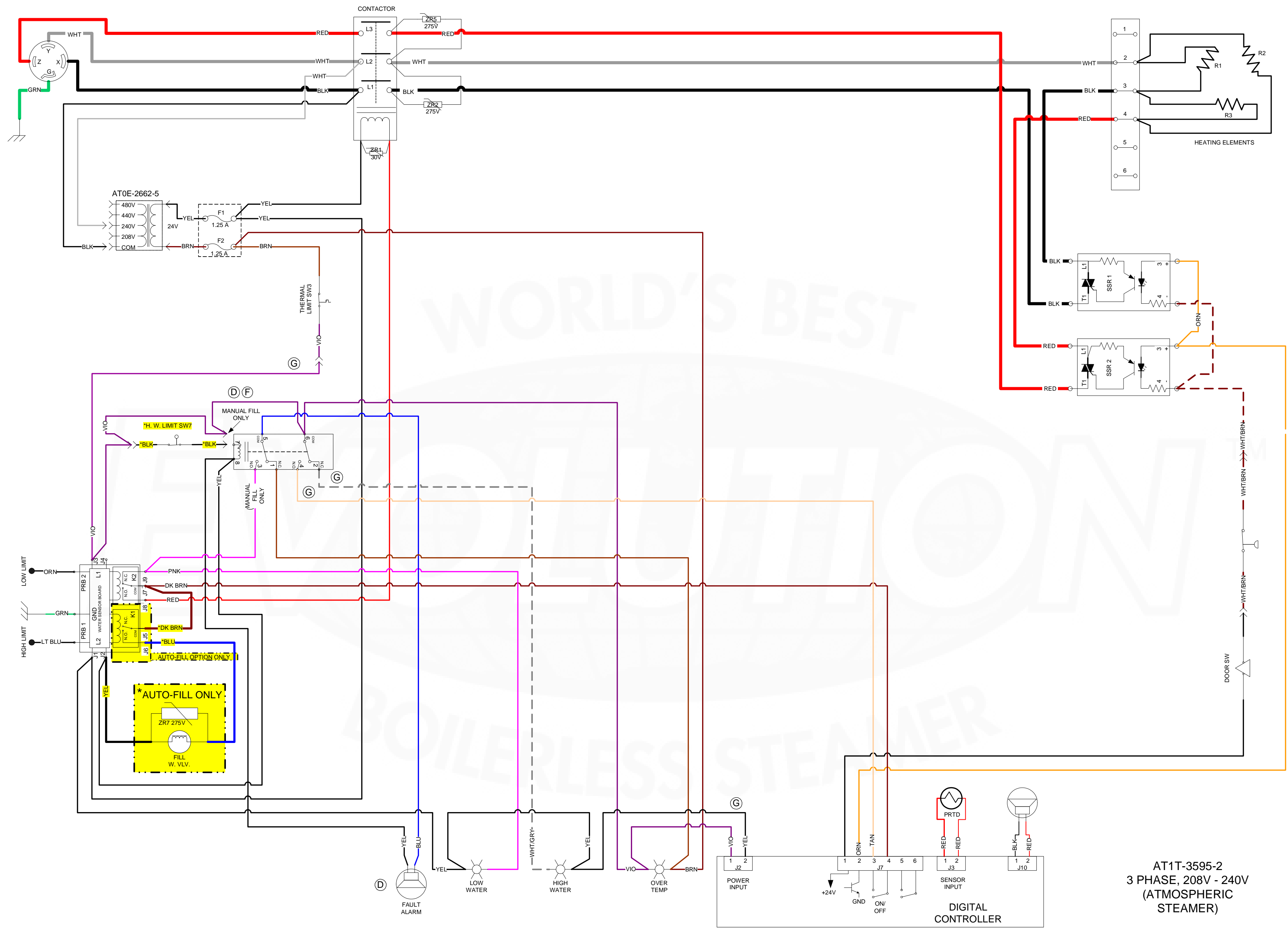
SERIAL NUMBER 36981 & HIGHER



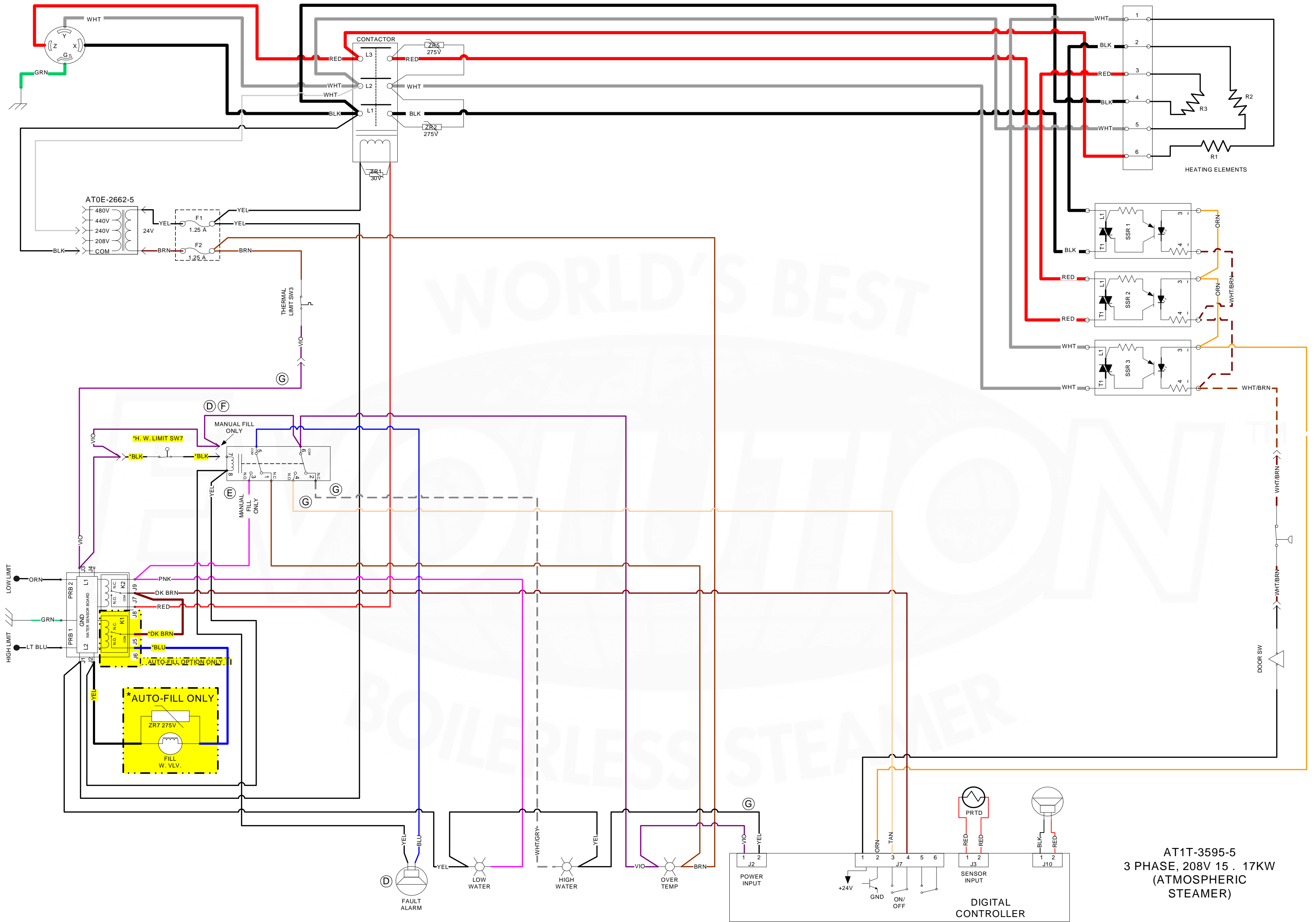
AT1T-3595-1
 1 PHASE, 208V - 240V
 (ATMOSPHERIC
 STEAMER)

AccuTemp AccuTemp Products, Inc.
 8415 N. Clinton Park
 Fort Wayne, IN 46825

Title: **SCHEMATIC, STEAMER,
 ATMOSPHERIC**
 Drawing No.: **AT1T-3595** Rev. **G**



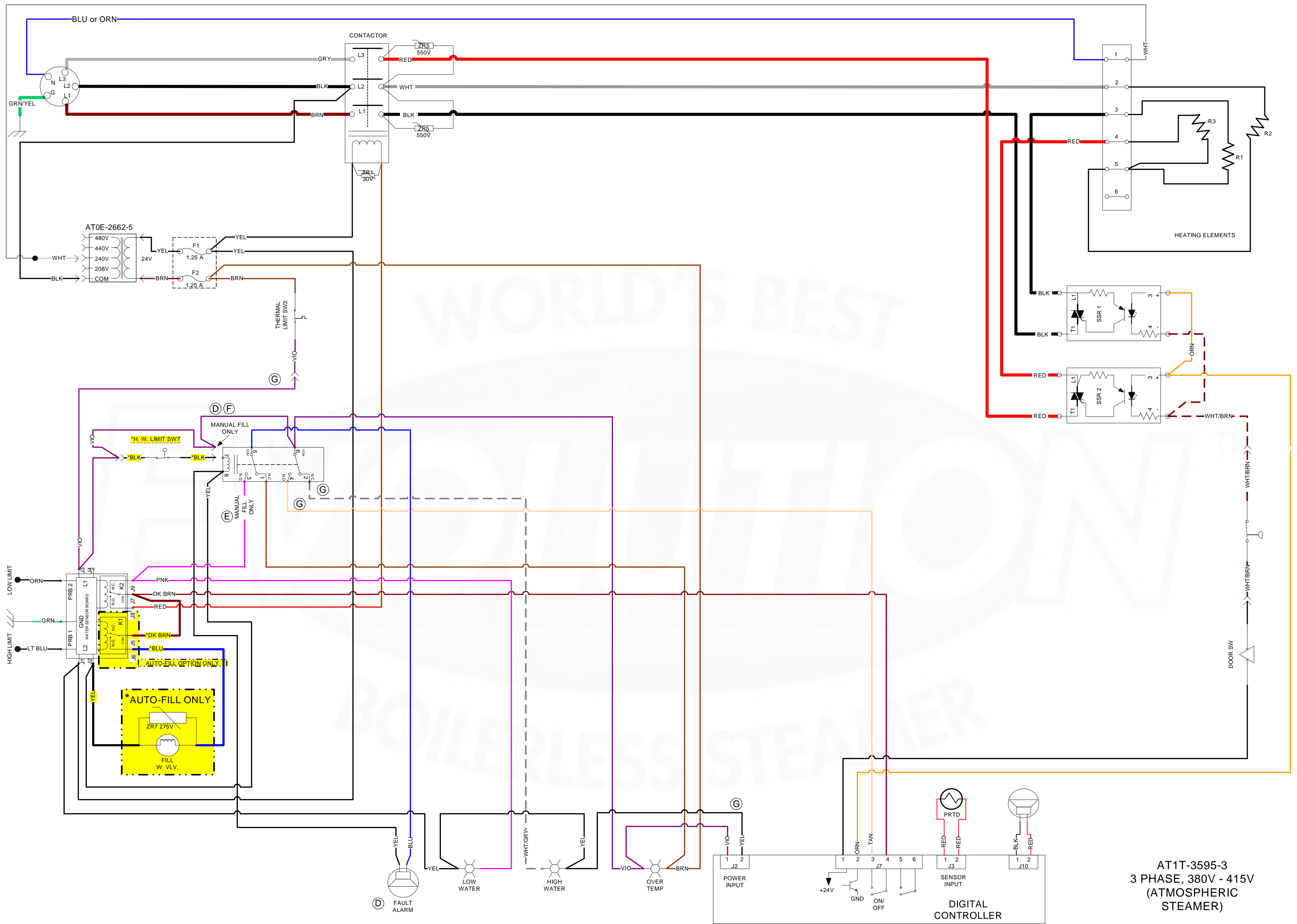
AT1T-3595-2
 3 PHASE, 208V - 240V
 (ATMOSPHERIC
 STEAMER)



AT1T-3595-5
 3 PHASE, 208V 15 . 17KW
 (ATMOSPHERIC
 STEAMER)

AccuTemp AccuTemp Products, Inc.
 8415 N. Clinton Park
 Fort Wayne, IN 46825

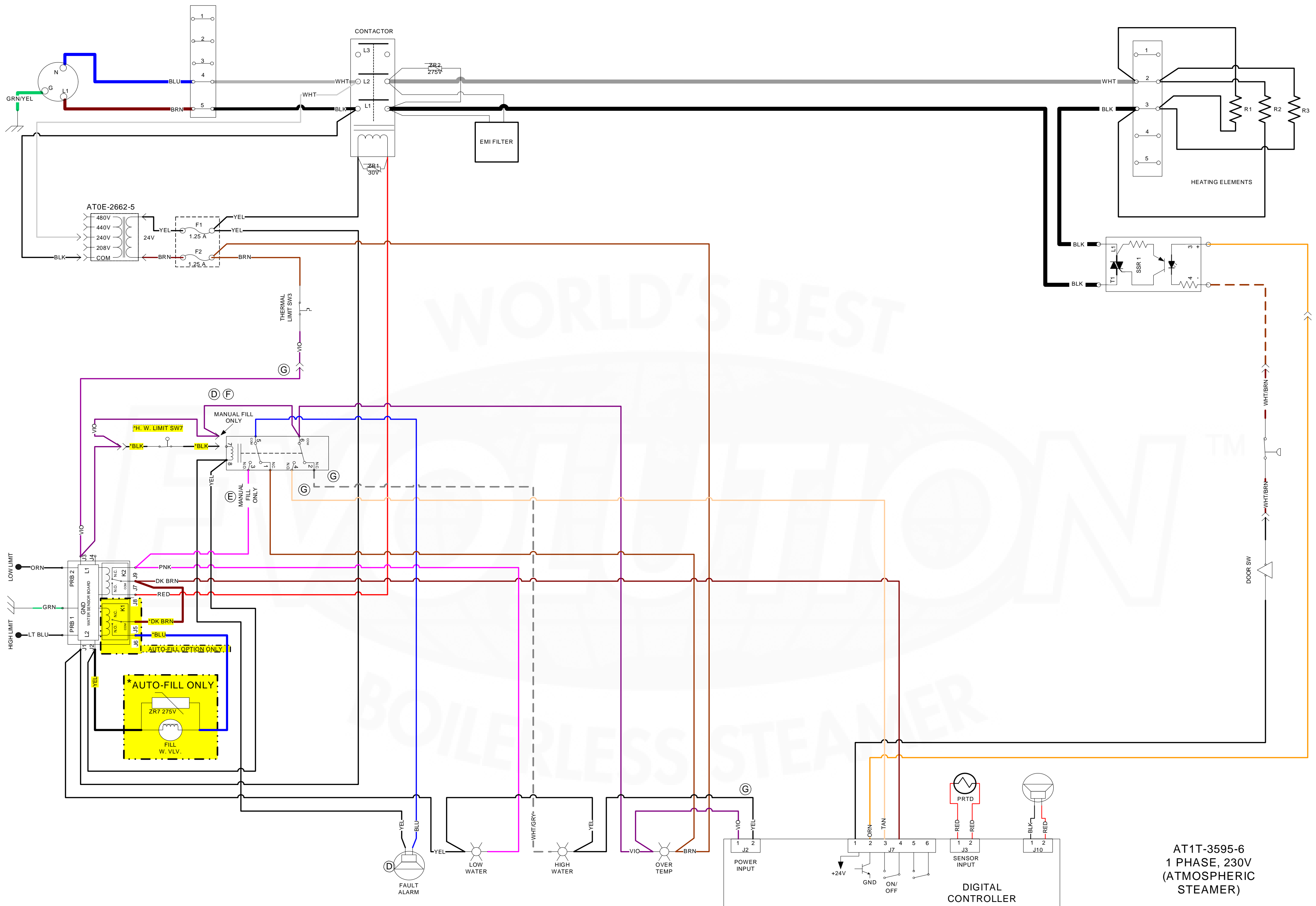
Title: **SCHEMATIC, STEAMER,
 ATMOSPHERIC**
 Drawing No.: **AT1T-3595** Rev. **G**



AT1T-3595-3
 3 PHASE, 380V - 415V
 (ATMOSPHERIC
 STEAMER)

AccuTemp AccuTemp Products, Inc.
 8415 N. Clinton Park
 Fort Wayne, IN 46825

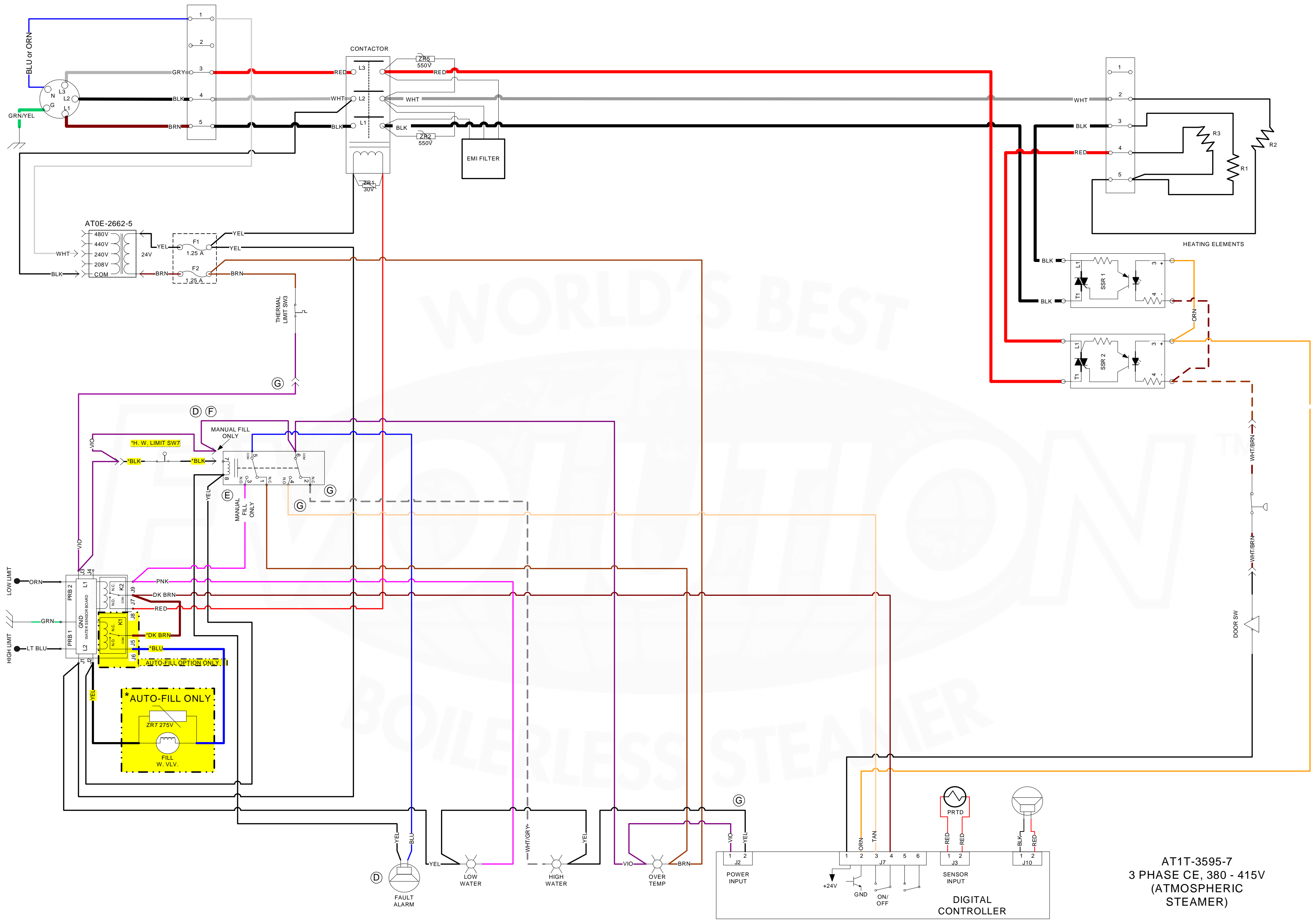
Title: **SCHEMATIC, STEAMER,
 ATMOSPHERIC**
 Drawing No.: **AT1T-3595** Rev. **G**



AT1T-3595-6
 1 PHASE, 230V
 (ATMOSPHERIC
 STEAMER)

AccuTemp AccuTemp Products, Inc.
 8415 N. Clinton Park
 Fort Wayne, IN 46825

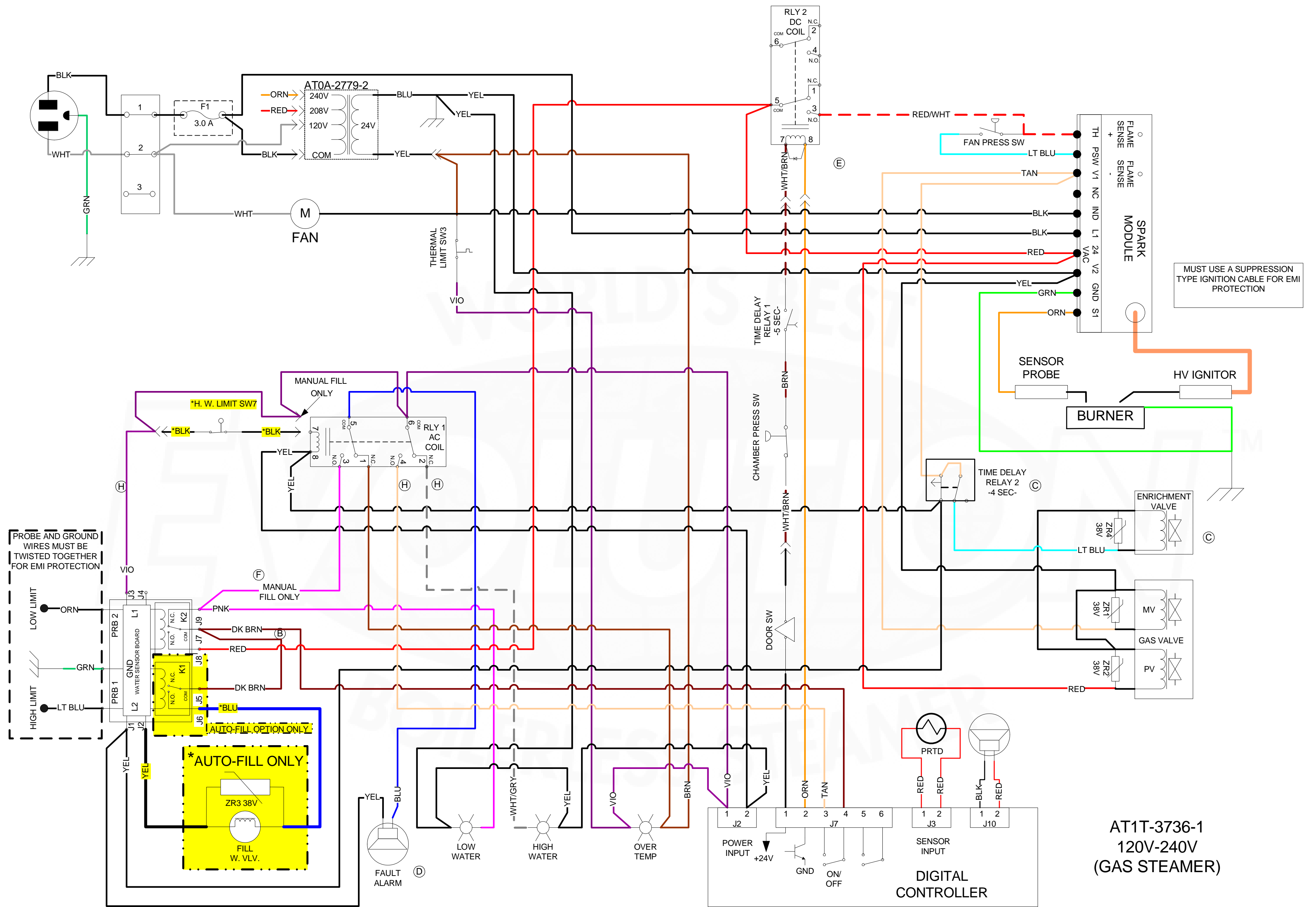
Title: **SCHEMATIC, STEAMER,
 ATMOSPHERIC**
 Drawing No.: **AT1T-3595** Rev. **G**



AT1T-3595-7
 3 PHASE CE, 380 - 415V
 (ATMOSPHERIC
 STEAMER)



Title: **SCHEMATIC, STEAMER, ATMOSPHERIC**
 Drawing No.: **AT1T-3595** | Rev. **G**



MUST USE A SUPPRESSION TYPE IGNITION CABLE FOR EMI PROTECTION

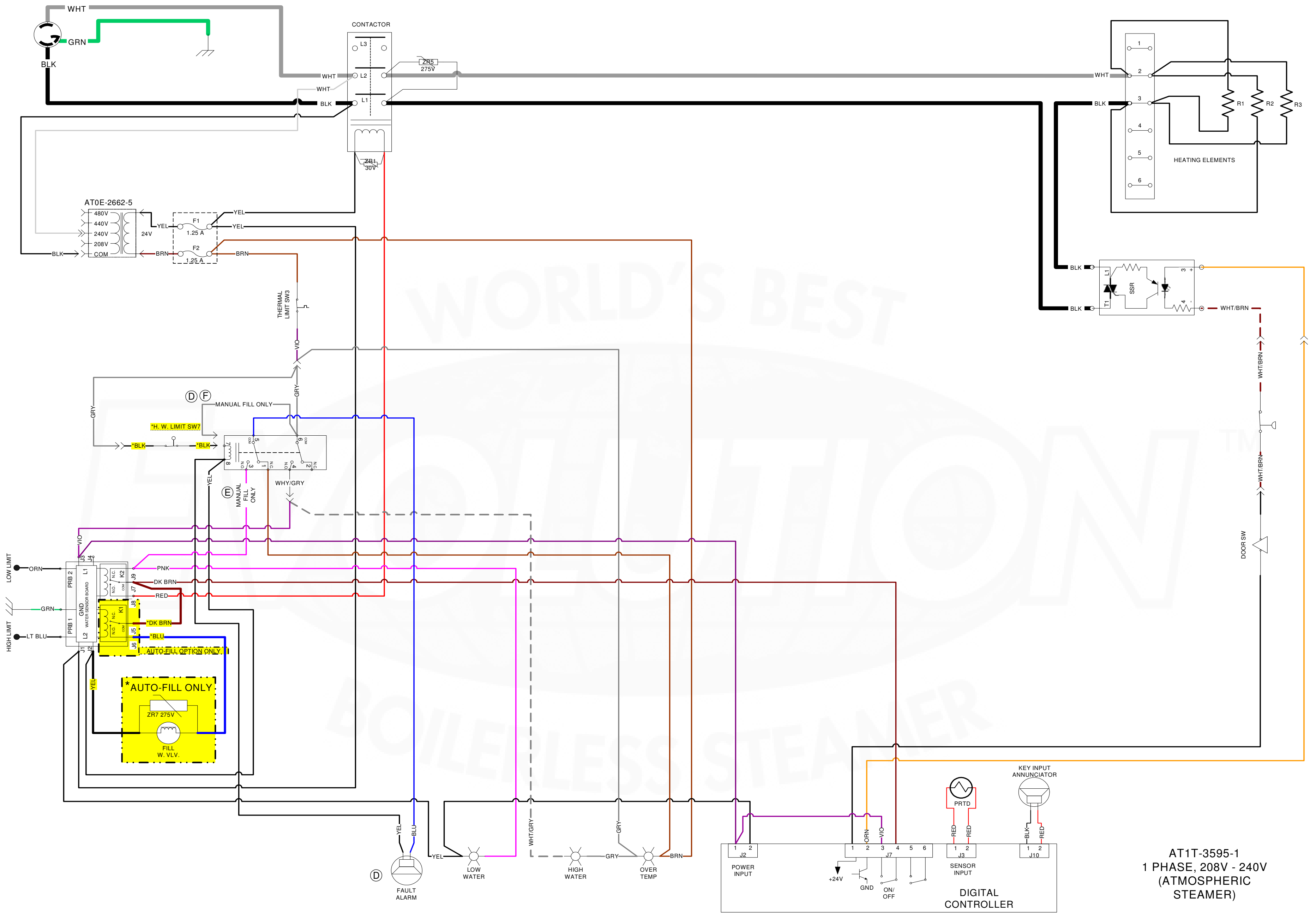
PROBE AND GROUND WIRES MUST BE TWISTED TOGETHER FOR EMI PROTECTION

*** AUTO-FILL ONLY ***
Zr3 38V
FILL W. VL.V.



EVOLUTION ELECTRIC & GAS SECHMATICS

SERIAL NUMBER 36890 & LOWER



AT1T-3595-1
1 PHASE, 208V - 240V
(ATMOSPHERIC
STEAMER)

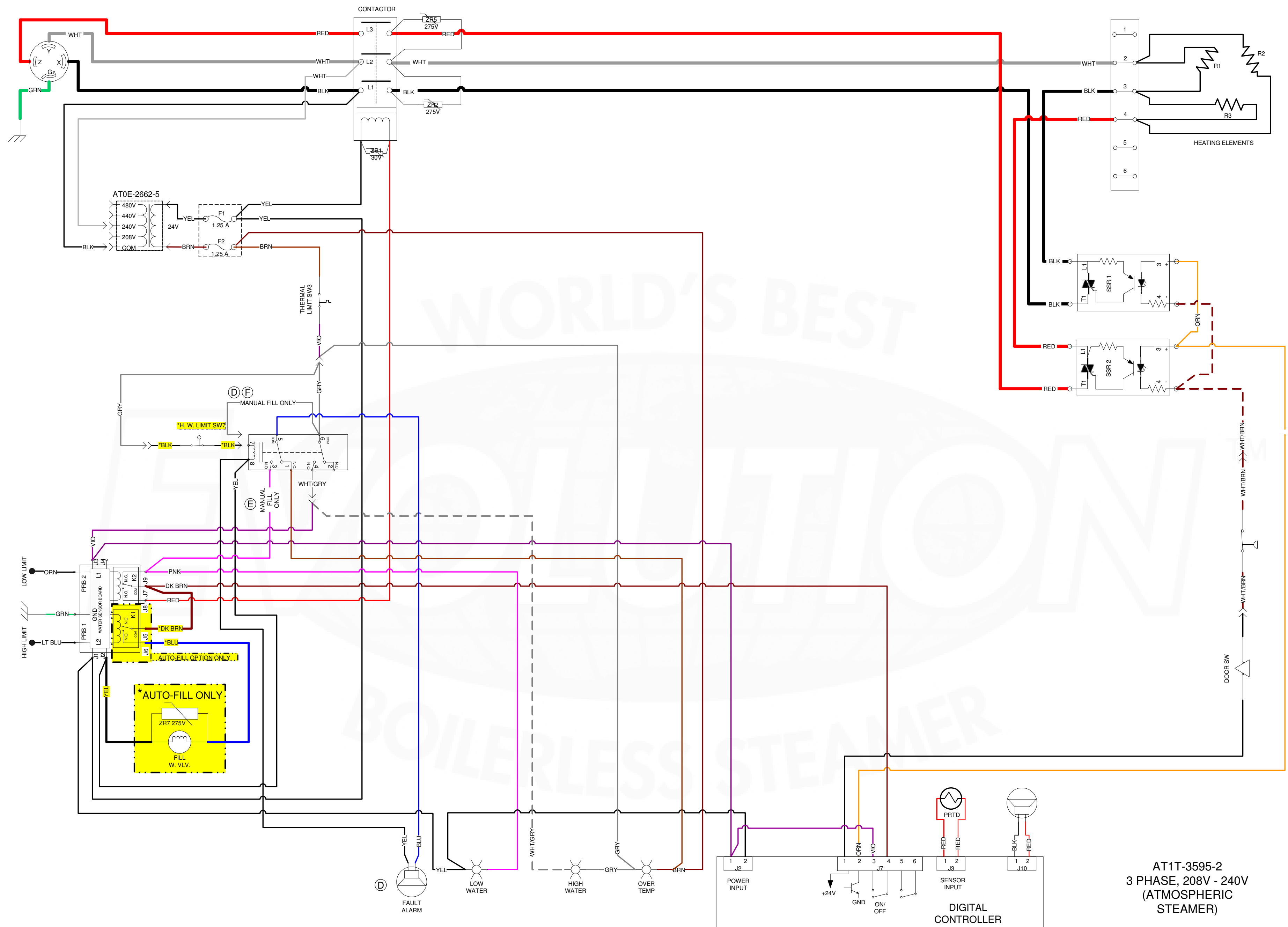


AccuTemp Products, Inc
8415 N. Clinton Park
Fort Wayne, IN 46825

Title: **SCHEMATIC, STEAMER,
ATMOSPHERIC**

: Drawing No.: **AT1T-3595**

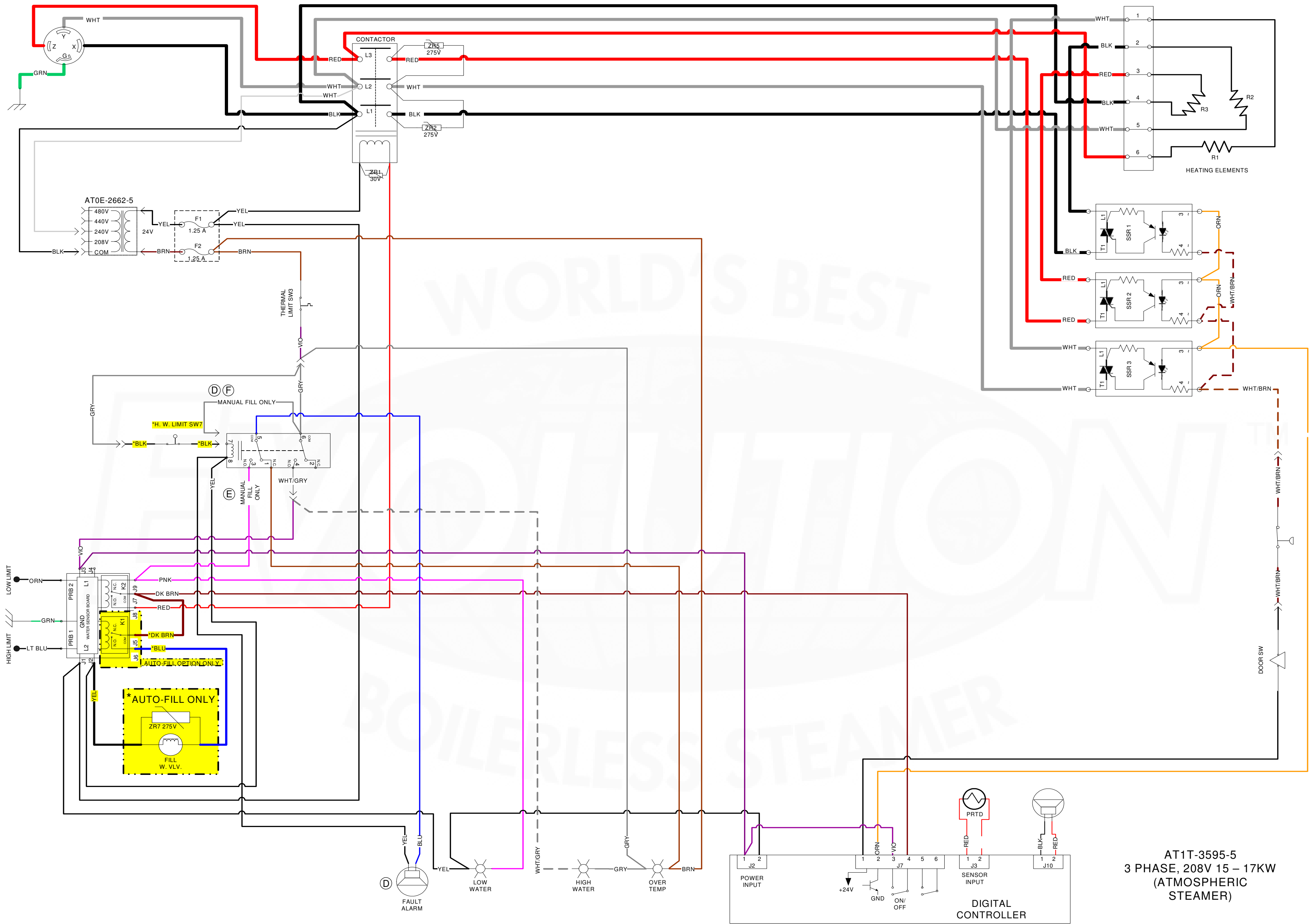
F



AT1T-3595-2
 3 PHASE, 208V - 240V
 (ATMOSPHERIC
 STEAMER)

AccuTemp AccuTemp Products, Inc.
 8415 N. Clinton Park
 Fort Wayne, IN 46825

Title: **SCHEMATIC, STEAMER,
 ATMOSPHERIC**
 Drawing No.: **AT1T-3595** Rev. **F**

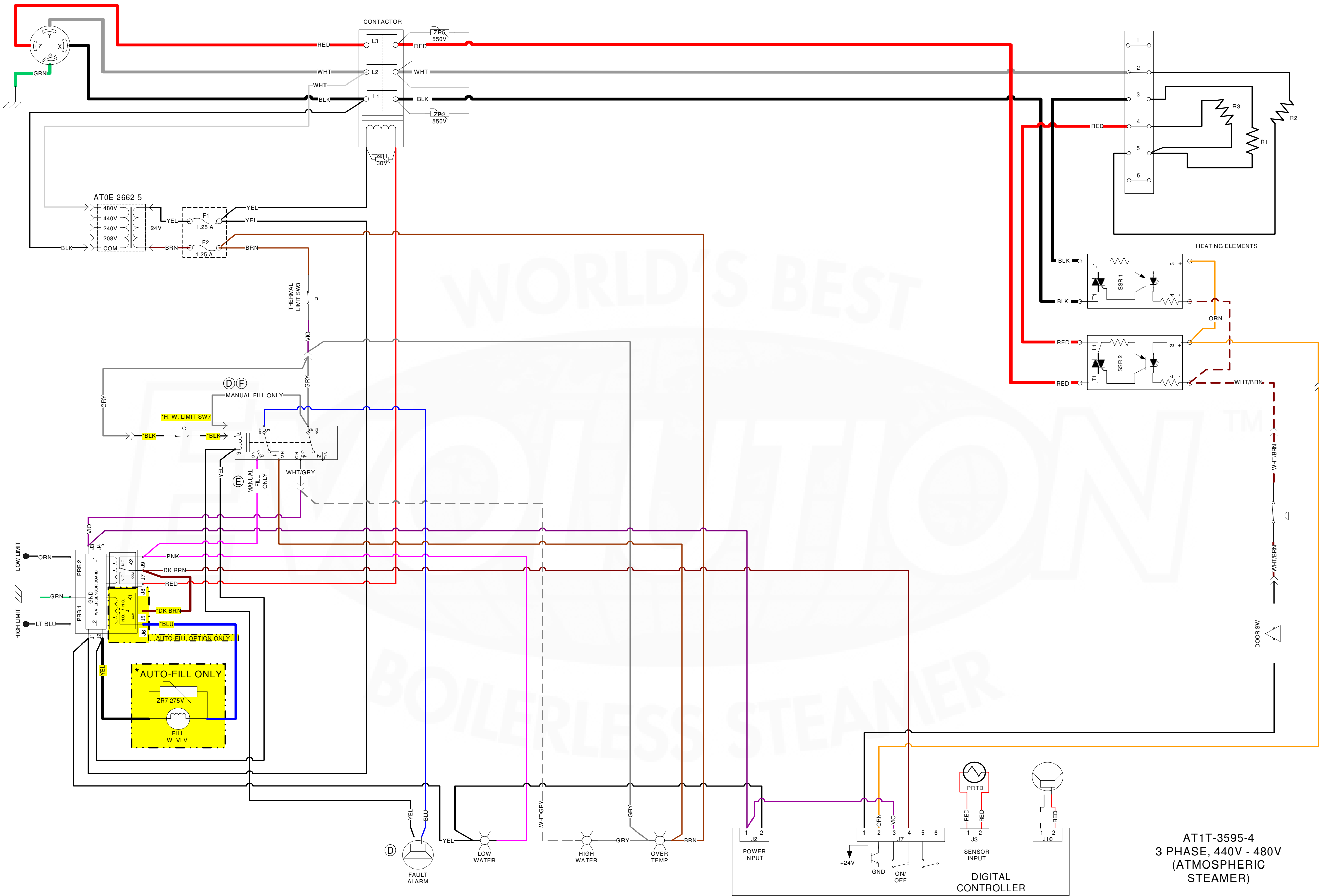


AT1T-3595-5
 3 PHASE, 208V 15 – 17KW
 (ATMOSPHERIC
 STEAMER)



AccuTemp Products, Inc
 8415 N. Clinton Park
 Fort Wayne, IN 46825

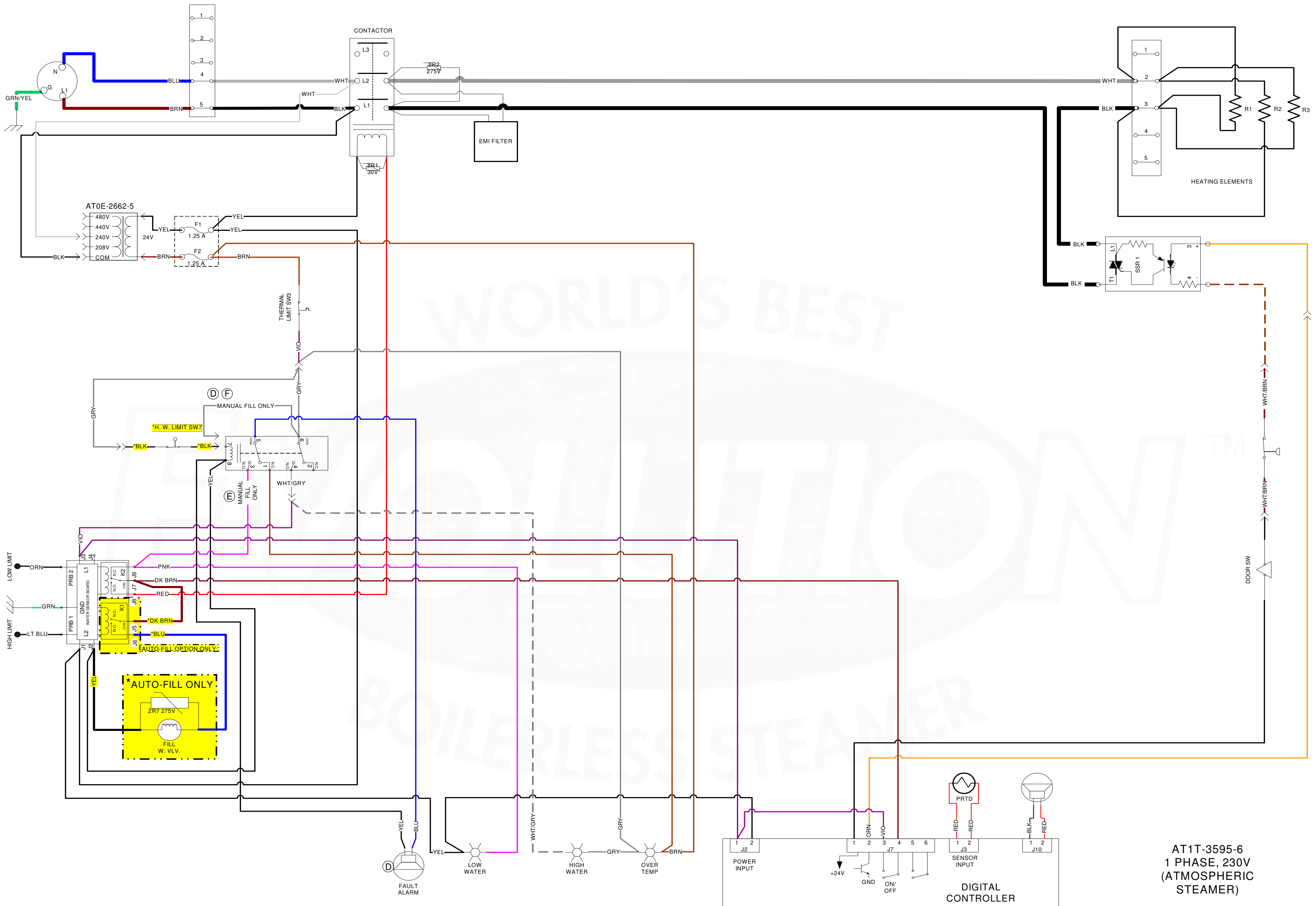
Title: **SCHEMATIC, STEAMER,
 ATMOSPHERIC**
 Drawing No.: **AT1T-3595**
 Rev. **F**



AT1T-3595-4
 3 PHASE, 440V - 480V
 (ATMOSPHERIC
 STEAMER)

AccuTemp AccuTemp Products, Inc
 8415 N. Clinton Park
 Fort Wayne, IN 46825

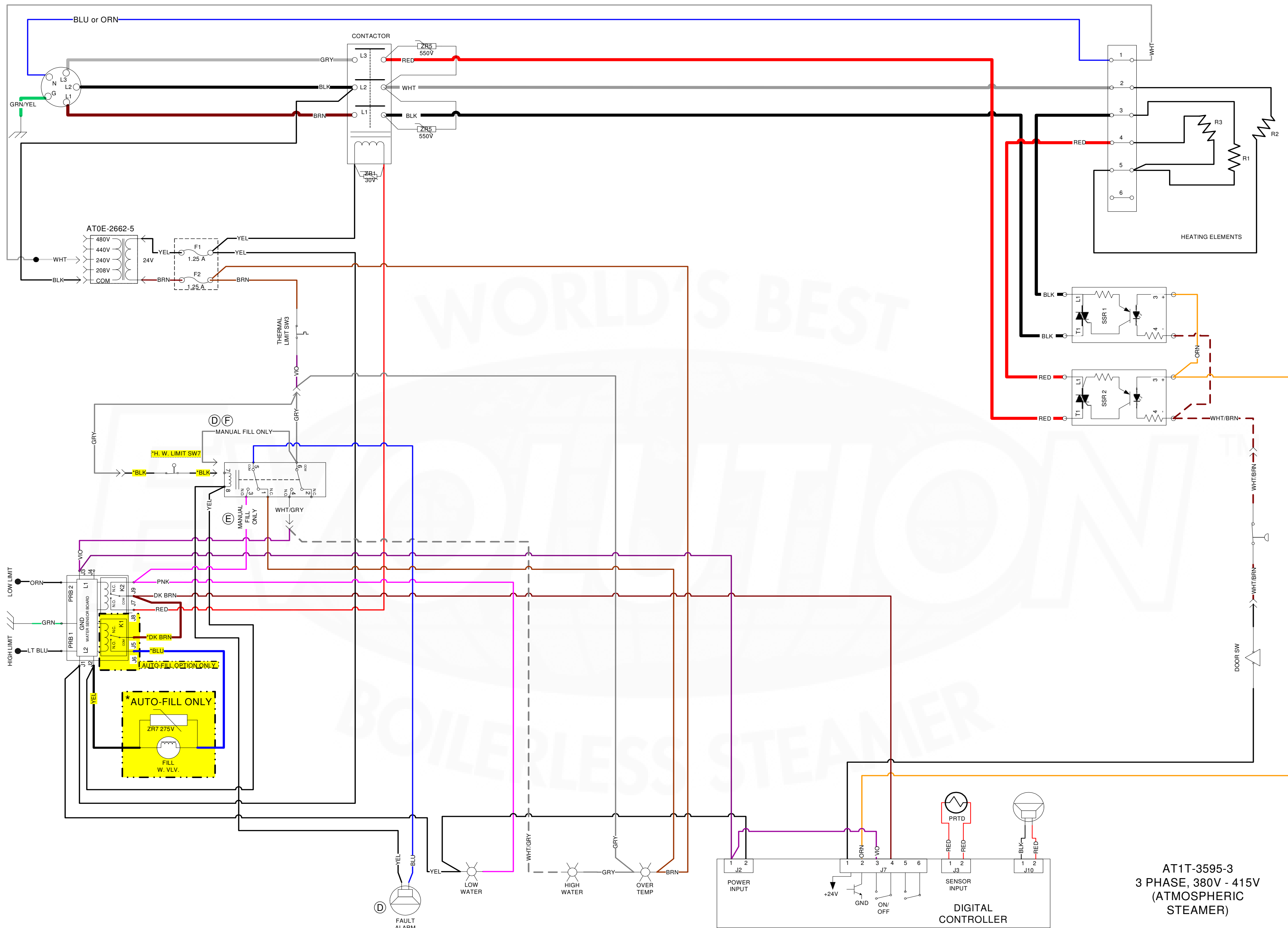
Title: **SCHEMATIC, STEAMER,
 ATMOSPHERIC**
 Drawing No.: **AT1T-3595** Rev. **F**



AT1T-3595-6
 1 PHASE, 230V
 (ATMOSPHERIC
 STEAMER)

AccuTemp AccuTemp Products, Inc.
 8415 N. Clinton Park
 Fort Wayne, IN 46825

Title: **SCHEMATIC, STEAMER,
 ATMOSPHERIC**
 Drawing No. **AT1T-3595** Rev. **F**



AT1T-3595-3
 3 PHASE, 380V - 415V
 (ATMOSPHERIC
 STEAMER)



Title: **SCHEMATIC, STEAMER,
 ATMOSPHERIC**
 Drawing No.: **AT1T-3595** Rev. **F**

