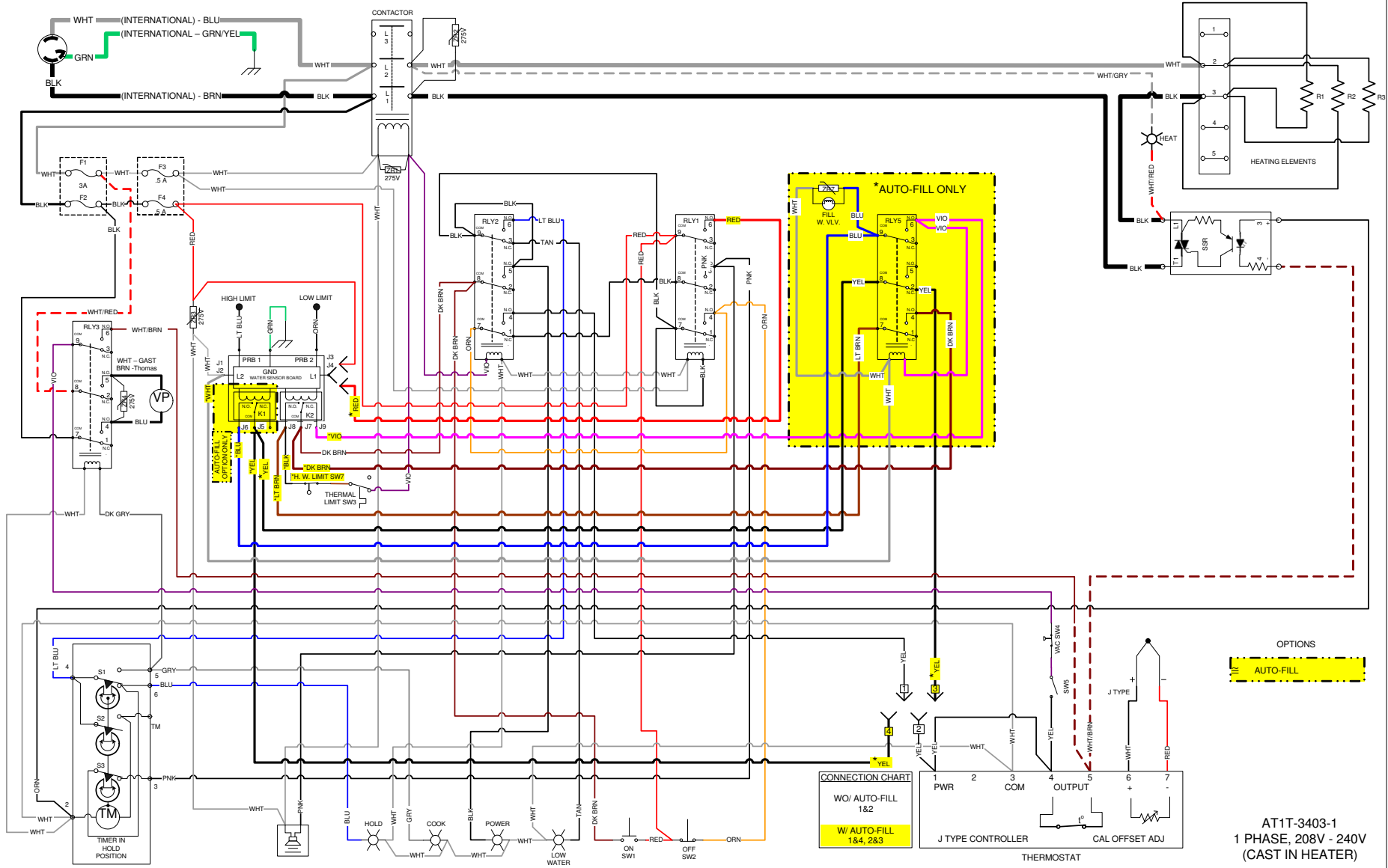


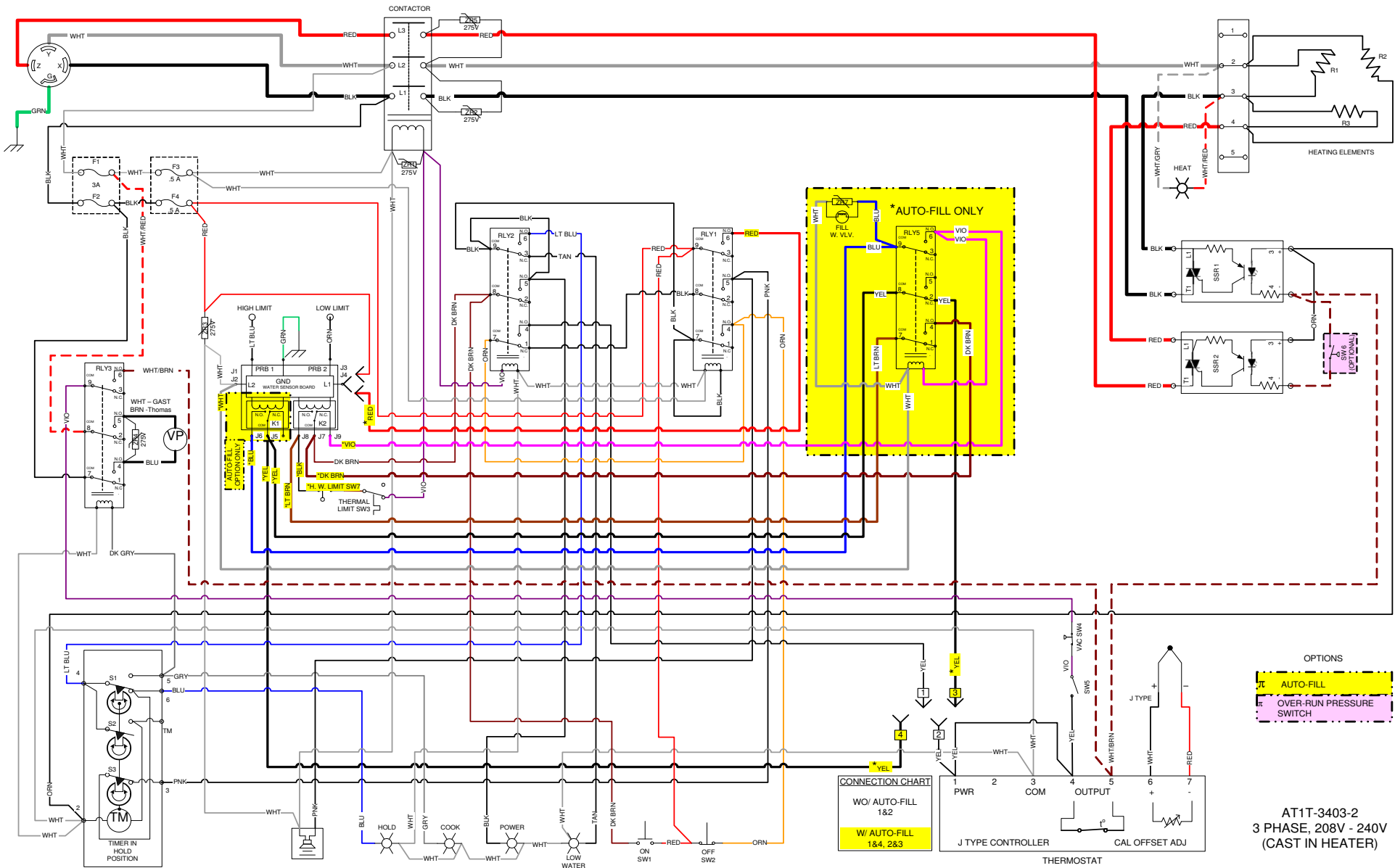
SCHEMATICS
SERIAL NUMBER 28999 & UP



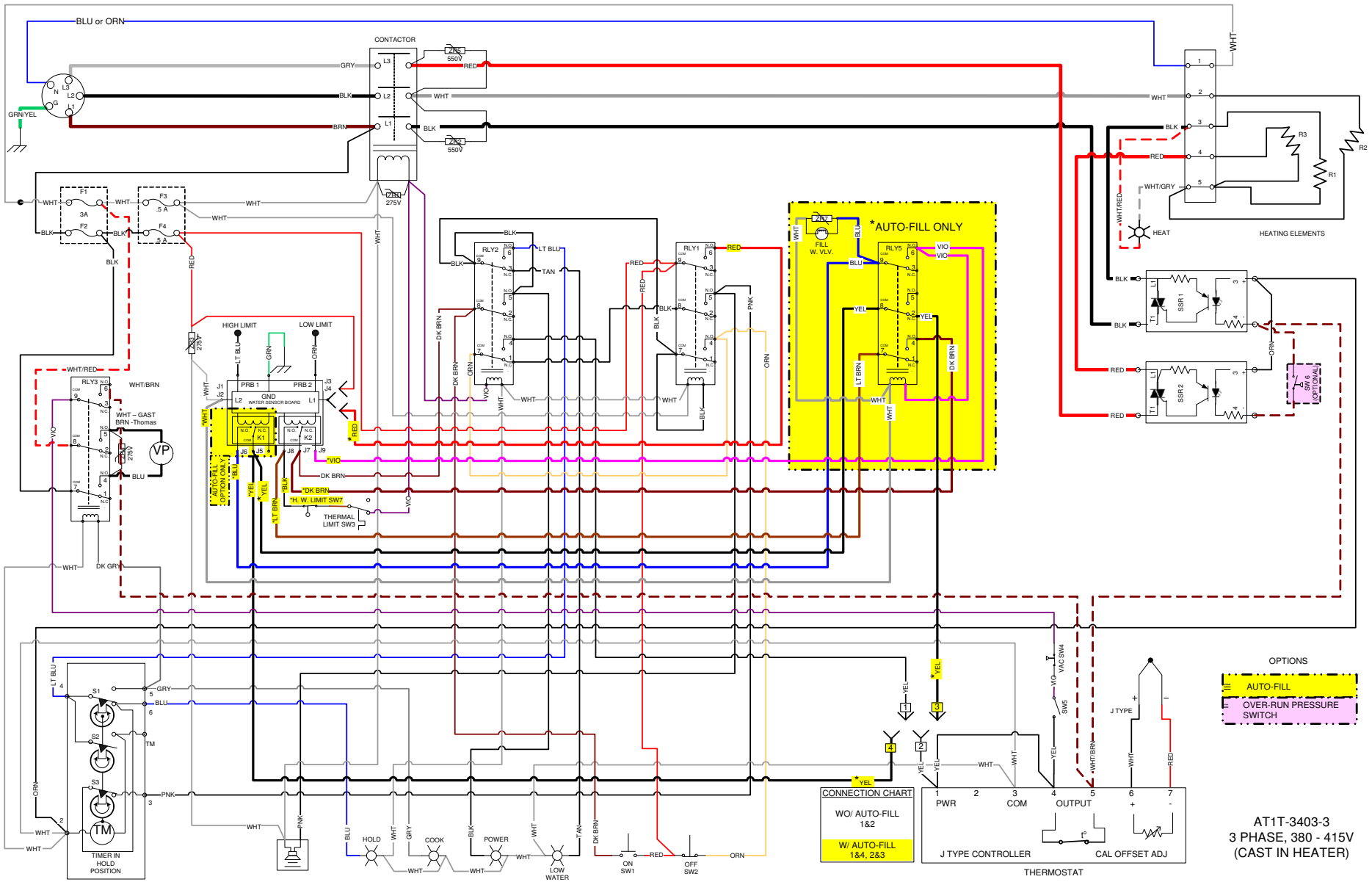
OPTIONS
AUTO-FILL

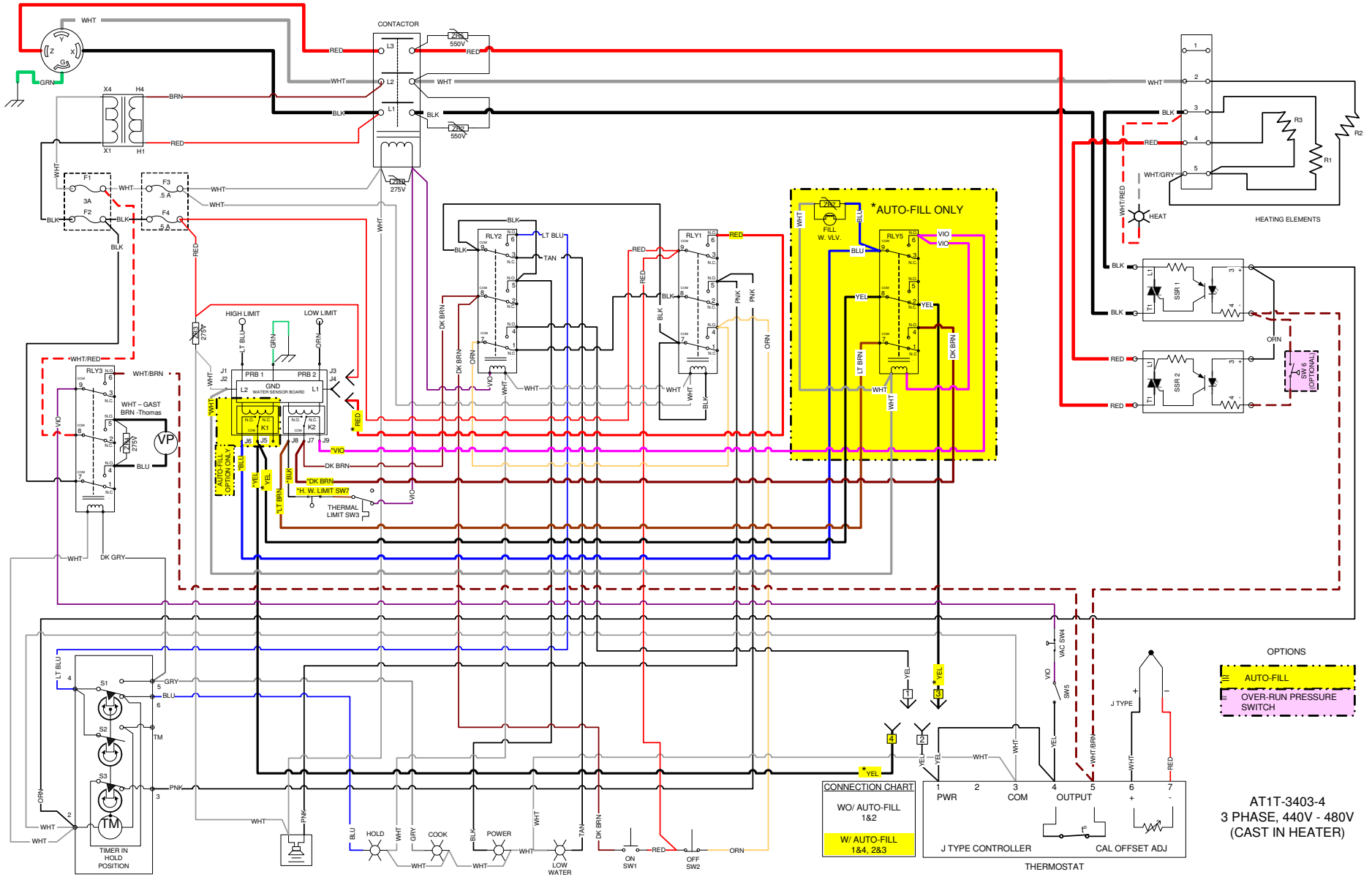
AT1T-3403-1
 1 PHASE, 208V - 240V
 (CAST IN HEATER)

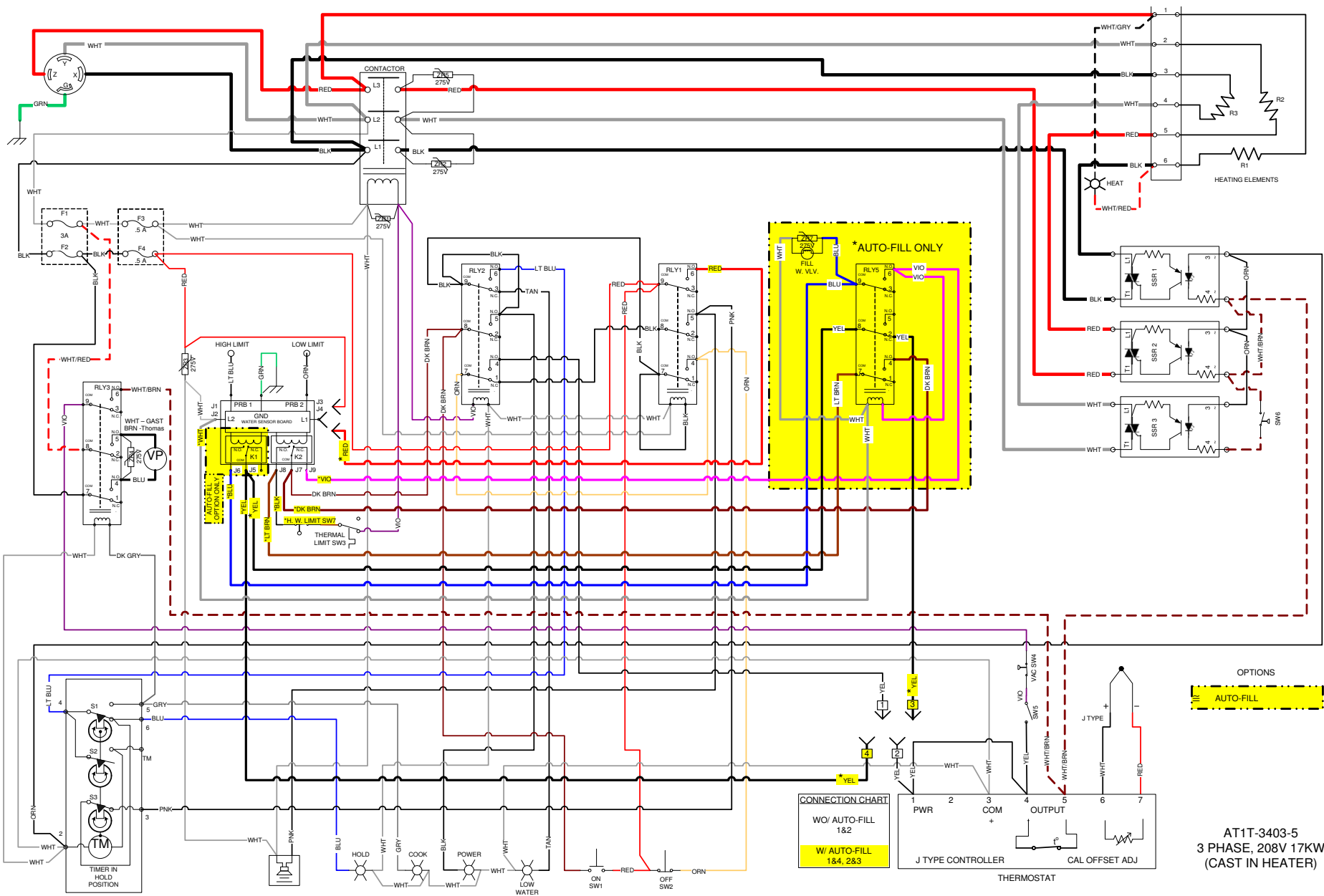




SP8021-1012







SP8021-1012

